

Clarke®

POWER



PHASE CONVERTER

MODEL NO: PC60

PART NO: 6012795

USER INSTRUCTIONS



ORIGINAL INSTRUCTIONS

GC1220

INTRODUCTION

Please read these instructions carefully before operating the converter

Thank you for purchasing this **CLARKE** Single to 3 Phase Converter. i.e. to run 3-phase asynchronous motors **ONLY**, from a 230V single phase supply.

Please note that this device, because of its characteristics is for use primarily with constantly running motors. It is not desirable for use with stop start operations.

Before using the device, please read this manual thoroughly and carefully follow all instructions given. This is for your own safety and that of others around you, and is also to help you achieve long and trouble free service from your new product.

SPECIFICATIONS

| | |
|------------------------|-----------------------|
| Dimensions (D x W x H) | 385 x 255 x 380 mm |
| Weight | 23 kg |
| Input Voltage | 230V AC, ~ 50 - 60Hz, |
| Max input current | 25 Amps |
| Input current fuse | 32 Amps |
| Input cable size | 2.5 mm |
| Output voltage | 3ph 400VAC |
| Max output | 5.5 HP |

GUARANTEE

This CLARKE product is guaranteed against faulty manufacture for a period of 12 months from the date of purchase. Please keep your receipt as proof of purchase.

This guarantee is invalid if the product is found to have been abused or tampered with in any way, or not used for the purpose for which it was intended.

Faulty goods should be returned to their place of purchase, no product can be returned to us without prior permission.

This guarantee does not effect your statutory rights.

SAFETY



WARNING: AS WITH ALL MACHINERY, THERE ARE CERTAIN HAZARDS INVOLVED WITH THEIR OPERATION AND USE. EXERCISING RESPECT AND CAUTION WILL CONSIDERABLY LESSEN THE RISK OF PERSONAL INJURY. HOWEVER, IF NORMAL SAFETY PRECAUTIONS ARE OVERLOOKED, OR IGNORED, PERSONAL INJURY TO THE OPERATOR MAY RESULT.

Special care is taken during all stages of manufacture to ensure that your Clarke Phase Converter reaches you in good condition.

Before using this equipment, it is in your own interest and others around you, that you read and comply with ALL the information given.

NEVER open or remove any covers on this equipment while it is still connected to the mains. **NEVER** operate with any panels open or removed.

NEVER attempt to repair this equipment, unless you are a qualified electrician.

If you do experience any problems which you are unable to safely resolve, contact your local dealer or **Clarke** International Service Department on: 020 8988 7400

NEVER use in wet or damp environments.

Whilst this unit has been built to comply with current EMC regulations, the user is responsible for installing and using it. If electromagnetic disturbances are detected then it shall be the responsibility of the user to resolve the situation.

In some cases it could involve constructing an electromagnetic screen enclosing the power source and the work complete with associated input filters. In all cases electromagnetic disturbances must be reduced to the point where they are no longer troublesome.

IMPORTANT: HEALTH AND SAFETY AND IEE REGULATIONS MUST BE OBSERVED AT ALL TIMES.

ENVIRONMENTAL RECYCLING POLICY



Through purchase of this product, the customer is taking on the obligation to deal with the WEEE in accordance with the WEEE regulations in relation to the treatment, recycling & recovery and environmentally sound disposal of the WEEE.

In effect, this means that this product must not be disposed of with general household waste. It must be disposed of according to the laws governing Waste Electrical and Electronic Equipment (WEEE) at a recognised disposal facility.

INSTALLATION

We would recommend that the installation of this equipment is carried out by a qualified electrician, who has a full understanding of industrial switching applications.

It is the users responsibility to provide adequate protection for the intended motor and to ensure that the supply and cabling is of sufficient capacity to enable the motor to start without causing undue supply disturbances due to a voltage drop.

Before installing this equipment, careful consideration must be given to the location in which it is to be used, also what machinery it is intended to run, such as drills, lathes, milling machines, circular saws etc.



WARNING: THESE CONVERTERS ARE NOT SUITABLE FOR USE WITH CAR HOISTS, COMPRESSORS & VACUUM PUMPS DUE TO THEIR HIGH START UP LOADS.

Once the location has been established, the installation may be carried out as follows.

ELECTRICAL CONNECTION

Check details on converter rating plate are compatible with the electric supply and the machine to be driven. (machine details should be found on the motor data plate).

NOTE: The converter will only supply a 3 phase, 3 line load as standard, if a neutral is required. Contact your nearest dealer or Clarke Service for advice.

NOTES:

- Cable sizes above are the minimum sizes for up to 20 metres. For cables over this length refer to the current IEE regulations.
- Model PC60 is provided with 2M (minimum) of 3-core cable for connection to the power supply.


IMPORTANT: The wires in the mains lead are coloured in accordance with the following code:

Green & YellowEarth

BlueNeutral

BrownLive

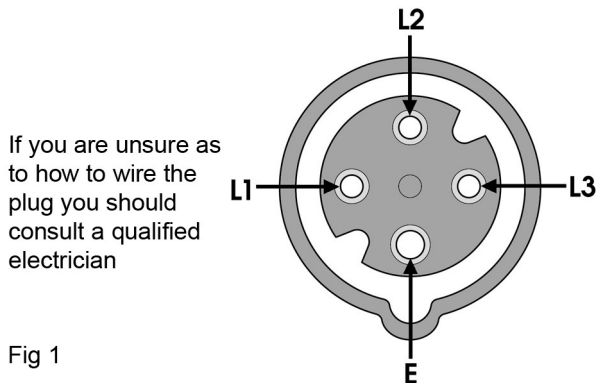
As the colours of the flexible cable of this appliance may not correspond with the coloured markings identifying terminals in your plug, proceed as follows:

- Connect GREEN & YELLOW wire to plug terminal marked with a letter "E" or Earth symbol , or coloured GREEN or GREEN & YELLOW.
- Connect BROWN wire to plug terminal marked letter "L" or coloured RED.
- Connect BLUE wire to plug terminal marked letter "N" or coloured BLACK.

CONNECTING THE OUTPUT

The output is plugged into the socket (E, Fig. 2), using a 4-pin -plug (not provided). The illustration below shows the socket configuration.

This unit requires a 16A, 400V (3-pin+ earth) plug which should be wired ensuring pins L1 and L3 are used for the connections across the motor windings;- i.e. these are the 'hot phases'.

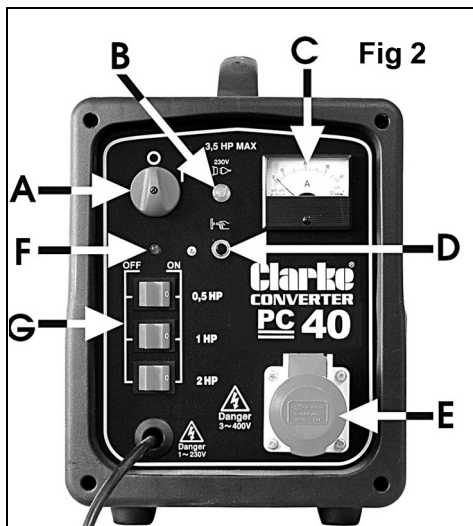


OPERATION

- Before inserting the output plug, switch all three switches (G) to OFF. Then switch the converter ON, using the ON/OFF switch (A) on the front panel.

In this condition the lamp (B) and the rocker switch A will illuminate.

Check to ensure the ammeter (C) is set to zero. If necessary, adjust using the small adjustment screw located at the bottom centre of the ammeter so that it reads zero.



- Switch OFF the converter and connect the plug from the motor to the output socket (E).

- Using the three switches (G), set the output so that it is equivalent to the HP of the motor to be driven. This value should be found on the motor data plate.

The chart below shows the switch settings for the required outputs.

- With the switches set, and the output plugged in, switch ON the converter and proceed to start the motor/machine. Note that indicator lamp (F) will illuminate when the switches (G) are set.

DO NOT ADJUST THE SWITCHES (G) WHEN THE PHASE CONVERTER IS SWITCHED ON.

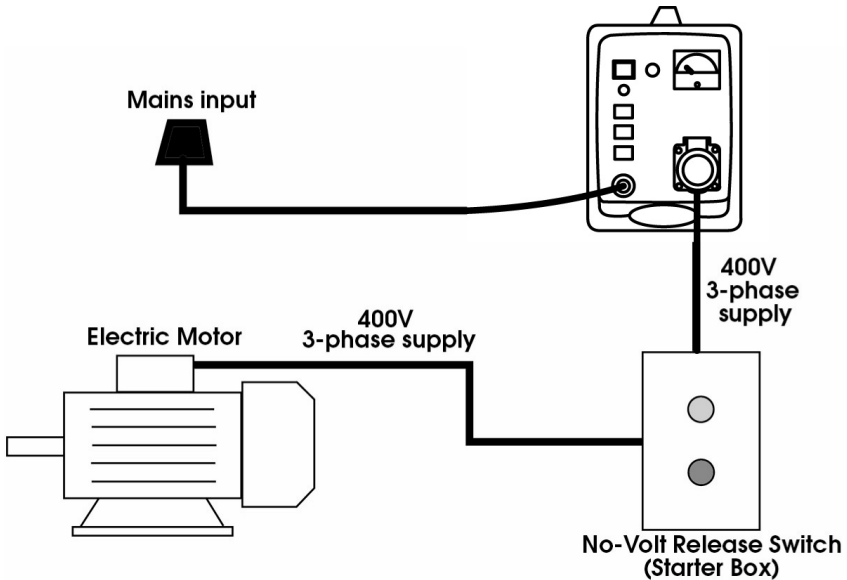
Model PC60

| Motor HP | SW 1 0.5HP | SW 2 0.5HP | SW3 1 HP |
|----------|---------------|---------------|---------------|
| 1 | ON | OFF | OFF |
| 1.5 | OFF | ON | OFF |
| 2.5 | ON | ON | OFF |
| 4 | ON | OFF | ON |
| 4.5 | OFF | ON | ON |
| 5.5 | ON | ON | ON |

THERMAL OVERLOAD

Should the unit overheat, the thermal overload will trip, shutting off supply to the motor/machine. In this event, switch OFF and wait for at least 5 minutes to allow it to cool before pressing the Reset button (D, Fig.2), and restarting.

You should also investigate the reason for overheating and take the necessary steps to avoid this re-occurring. If necessary, consult a qualified engineer.



NOTES:

- Please take into account the various losses which are incurred in the conversion from single to three phase supply. It will be necessary to select an output from the Converter which is greater than the rated power of the motor being driven. Ensure also the wiring to the motor is of sufficient size so as not to incur losses.
- If the machine, which is to be fed from the converter, has a contactor starter it should be noted that the control circuit should be fed from the two live phases (pins 'L1' and 'L3' in the socket). Should the contactor chatter or not operate at all, this indicates that the control circuit is not fed from lines 'L1' and 'L3'.
- If the control circuit is designed for 230 volts AC, a separate feed for the control circuit must be provided. Ask a qualified technician if in doubt.
- When using the converter with multispeed machines, care must be taken to allow the machine to slow down before switching from high to low speeds. If this procedure is not followed, the excess motor, back E.M.F. could damage both the converter and motor.

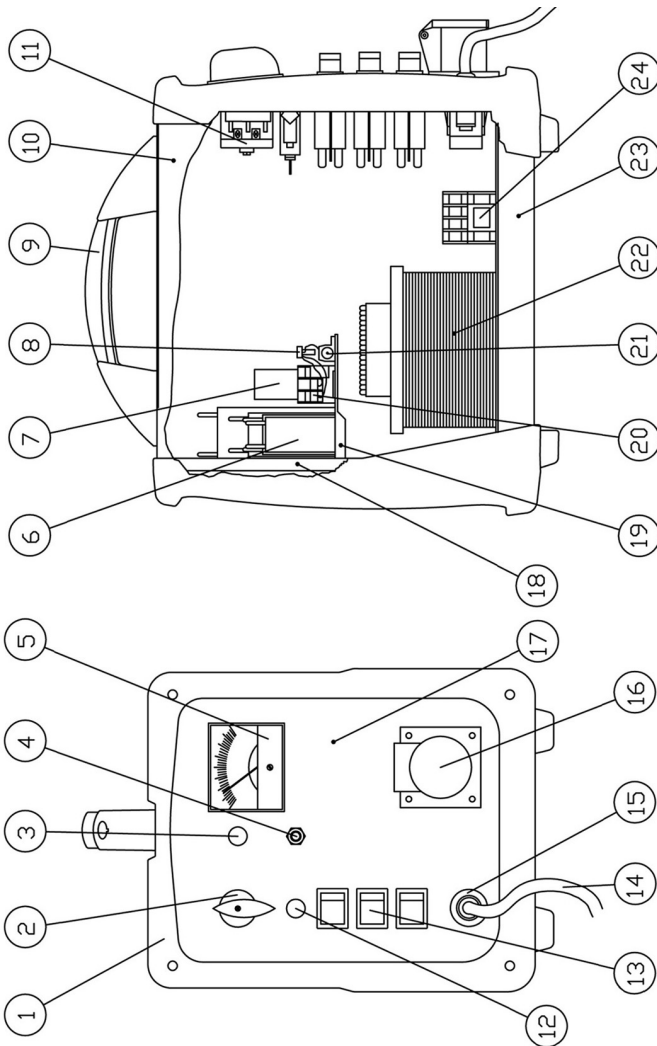
- When reversing the motor, ensure that the motor has stopped fully before doing so.
- For some applications of small motors or motors of unusual magnetic characteristics, it may be necessary to provide a pilot motor to obtain a balance of phases. Generally the pilot motor should be a 2 pole (2800 rpm) motor and as a general guide should be at least twice as big as the motor to be driven.

If necessary, consult a qualified technician.

PARTS LIST

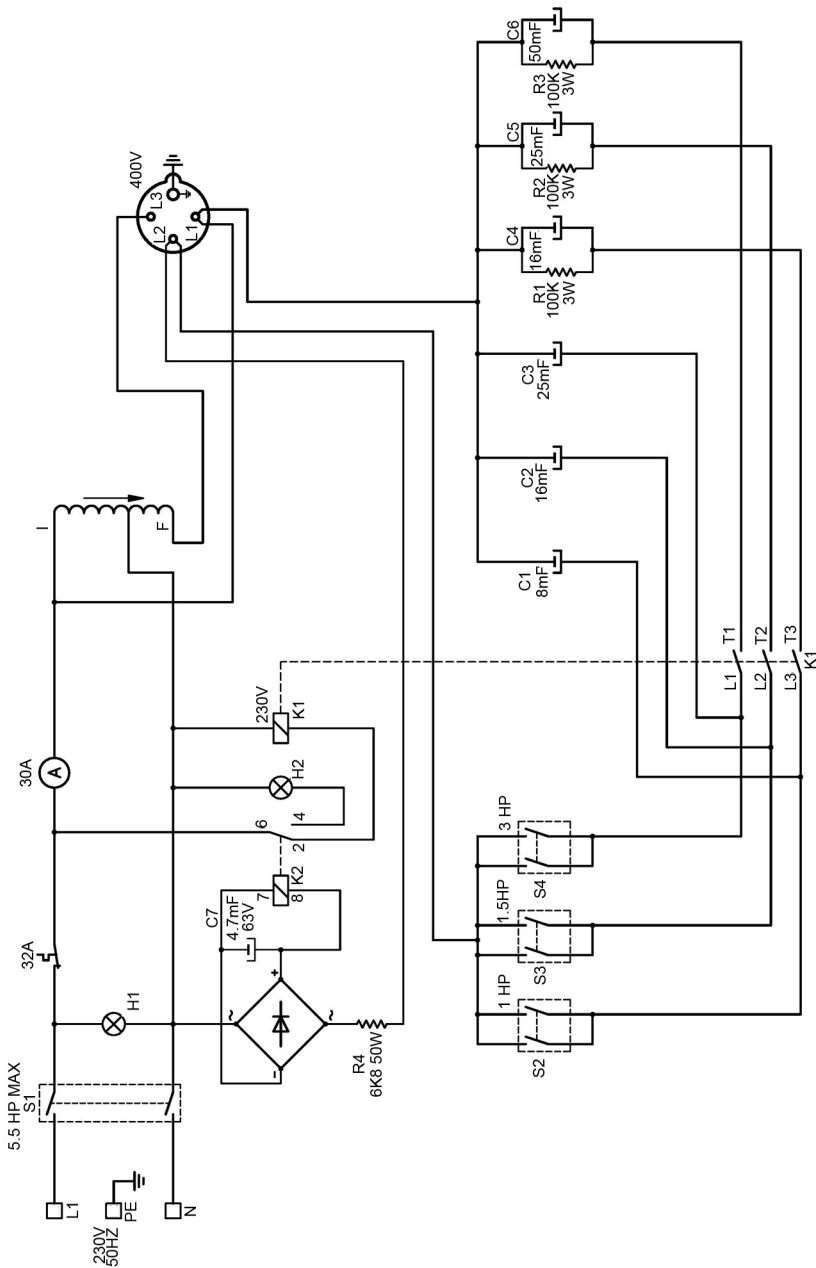
| No | Description | Suppliers No |
|----|---------------------------------------|--------------|
| 1 | Front Frame | EM21690425 |
| 2 | D.38 Knob for Red Switch + Indicator | EM04600268 |
| 3 | Green Pilot-Lamp 220 | EM22610006 |
| 4 | Circuit Breaker 32A | EM22210012 |
| 5 | Ammeter 30S FS60 | EM22600051 |
| 6 | Capacitor MKM 8mf 450V 30x78 | EM22315026 |
| 6 | Capacitor MKM 16mf 450V 45x80 | EM22315028 |
| 6 | Capacitor MKM 25mf 450V 45x103 | EM22315030 |
| 6 | Capacitor MKM 50mf 450V 50x128 | EM22315032 |
| 7 | Relay LY2 24VDC | EM22225318 |
| 8 | Capacitor 4.7mf-63V 5x11 P-2 | EM26000005 |
| 8 | W10 Rectifier | EM26014005 |
| 9 | Plastic Handle | EM21600030 |
| 10 | Cover Panel | EM33705461 |
| 11 | Switch 16A Sch 1602 | EM22205021 |
| 12 | Orange Pilot Lamp | EM22610013 |
| 13 | Double Pole Black Switch | EM22200043 |
| 14 | PVC Input Cable 3x2,5 M.2,5 | EM20220020 |
| 15 | Cable Clamp D.10 + Screw | EM04600234 |
| 16 | CEE 16A 380V 3pH Socket + Panel Earth | EM22105067 |
| 17 | Front Panel | EM33710373 |
| 18 | Back Panel | EM33715123 |
| 19 | Capacitor Support | EM33640257 |

COMPONENT PARTS DIAGRAM



| | | |
|----|---------------------------------|------------|
| 20 | Socket for LY2 Relay PTF 80A | EM22225319 |
| 21 | 6k8 ohm 50W Armoured Resistance | EM26031001 |
| 22 | Auto transformer | EM44145004 |
| 23 | Lower Panel | EM33700252 |
| 24 | Contactor 220V 10A | EM22225006 |

WIRING DIAGRAM



DECLARATION OF CONFORMITY



Clarke[®]
INTERNATIONAL

Hemnal Street, Epping, Essex CM16 4LG

DECLARATION OF CONFORMITY

This is an important document and should be retained.

We hereby declare that this product(s) complies with the following directive(s):

2014/30/EU *Electromagnetic Compatibility Directive.*
2014/35/EU *Low Voltage Equipment Directive.*
2011/65/EU *Restriction of Hazardous Substances (amended by (EU) 2015/863).*

The following standards have been applied to the product(s):

EN 61000-6-1, EN 61000-6-3.

The technical documentation required to demonstrate that the product(s) meet(s) the requirement(s) of the aforementioned directive(s) has been compiled and is available for inspection by the relevant enforcement authorities.

The CE mark was first applied in: 2007

Product Description: Phase Converter
Model number(s): PC 60
Serial / batch Number: N/A
Date of Issue: 15/12/2020

Signed:

J.A. Clarke
Director

A SELECTION FROM THE VAST RANGE OF

Clarke®

QUALITY PRODUCTS



AIR COMPRESSORS

From DIY to industrial, Plus air tools, spray guns and accessories.

GENERATORS

Prime duty or emergency standby for business, home and leisure.

POWER WASHERS

Hot and cold, electric and engine driven - we have what you need

WELDERS

Mig, Arc, Tig and Spot.
From DIY to auto/industrial.

METALWORKING

Drills, grinders and saws for DIY and professional use.

WOODWORKING

Saws, sanders, lathes, mortisers and dust extraction.

HYDRAULICS

Cranes, body repair kits, transmission jacks for all types of workshop use.

WATER PUMPS

Submersible, electric and engine driven for DIY, agriculture and industry.

POWER TOOLS

Angle grinders, cordless drill sets, saws and sanders.

STARTERS/CHARGERS

All sizes for car and commercial use.

PARTS & SERVICE:

0208 988 7400

Parts Enquiries

Parts@clarkeinternational.com

Servicing & Technical Enquiries

Service@clarkeinternational.com

SALES: UK 01992 565333 or Export 00 44 (0)1992 565335

Clarke INTERNATIONAL Hemnall Street, Epping, Essex CM16 4LG
www.clarkeinternational.com